

6121 Baker Road,
Suite 108
Minnetonka, MN 55345

www.chtechnology.com



Phone (952) 933-6190
Fax (952) 933-6223

1-800-274-4284

Thank you for downloading this document from C&H Technology, Inc.

Please contact the C&H Technology team for the following questions -

Technical

Application

Assembly

Availability

Pricing

Phone – 1-800-274-4284

E-Mail – sales@chtechnology.com

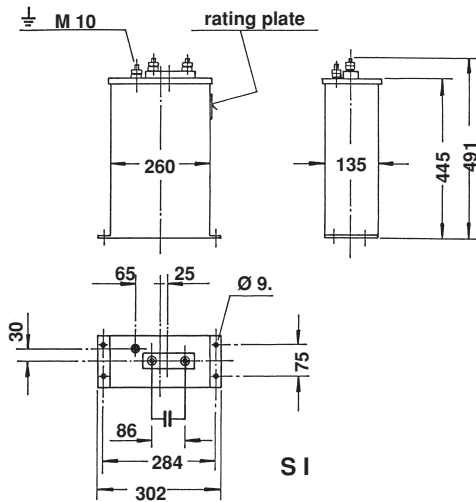
Line Frequency Capacitors 50/60Hz

ESTAprop[®], 230 - 525V, SELF-COOLING, SINGLE-PHASE

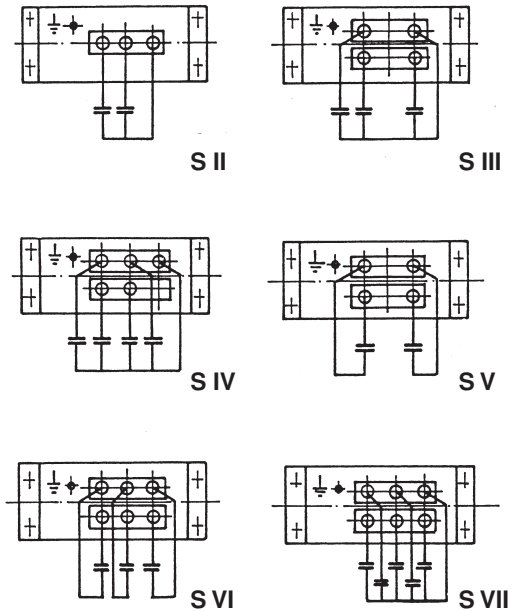
DESIGN

- MKP-type cup capacitor elements assembled and interconnected in steel sheet riveted casing;
- Casing varnish RAL 7033;
- IP 00, indoor, - 25°C/+ 45°C (unless otherwise confirmed);
- Self-healing, with internal overpressure tear-off fuse in each cup;
- Connection bolt M12, and grounding bolt M10;
- Mounting in the upright position, or horizontally on the narrow side.

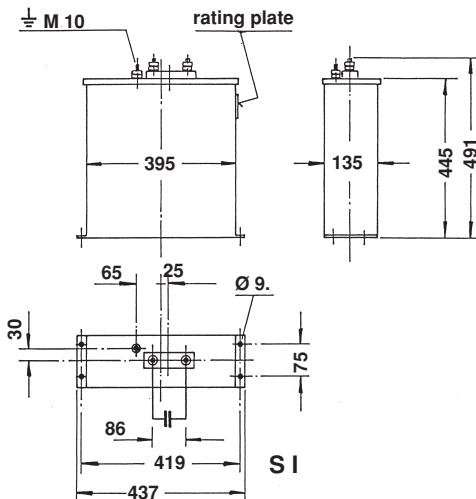
VERSION A/CIRCUITRY S I



ADDITIONAL CIRCUITRY VERSIONS



VERSION B/CIRCUITRY S I



230 - 525V, 50Hz (60Hz on request)

U_N (V)	Q_N (kVAr)	C_N (μ F)	I_N (A)	VERSION/ CIRCUITRY	TYPE Phmkp . . .
230	40	2407	174	A / S I	..230/40/1
230	60	3610	261	B / S I	..230/60/1
400	80	1592	200	A / S I	..400/80/1
400	120	2387	300	B / S I	..400/120/1
500	72	917	144	A / S I	..500/72/1
500	108	1375	216	B / S I	..500/108/1
525	80	924	152	A / S I	..525/80/1
525	120	1386	229	B / S I	..525/120/1

Shown are the maximum power ratings, other power ratings, voltages, and subdivisions on request.