

6121 Baker Road,  
Suite 108  
Minnetonka, MN 55345

[www.chtechnology.com](http://www.chtechnology.com)



Phone (952) 933-6190  
Fax (952) 933-6223

**1-800-274-4284**

**Thank you for downloading this document from C&H Technology, Inc.**

Please contact the C&H Technology team for the following questions -

Technical

Application

Assembly

Availability

Pricing

Phone – 1-800-274-4284

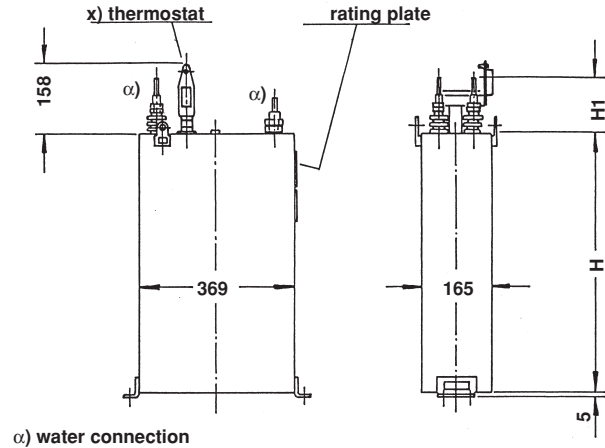
E-Mail – [sales@chtechnology.com](mailto:sales@chtechnology.com)

# Medium Frequency Capacitors, Water Cooled

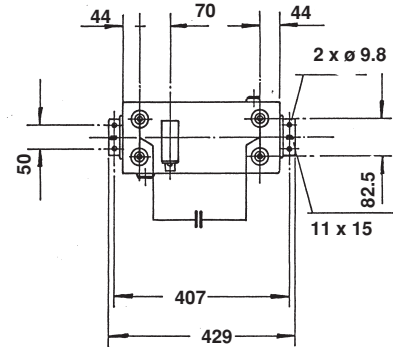
**ESTafilm®**, SINGLE OUTPUTS NOT SUBDIVIDED, 150 - 5000Hz

**DESIGN**

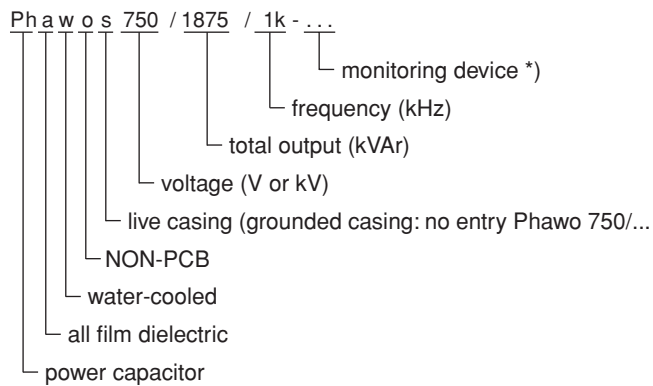
- All-film winding in brass sheet welded casing;
- Casing conductive, or grounded;
- Casing varnish RAL 7033;
- IP00, indoor;
- Ambient temperature 1°C .... 50°C;
- Outflowing water temperature 40° C maximum;
- 2 water-cooled current connections M20;
- Water tubing conductive;
- Mounting in the upright or horizontal position;
- Upon request, temperature or pressure monitoring;



α) water connection



x) upon request

**TYPE DESIGNATION**


\*) – ST = thermostat  
 – DR = pressure switch } Not all types available.



150 - 5000Hz (not subdivided)							
F <sub>N</sub> (Hz)	U <sub>N</sub> (V)	Q <sub>N</sub> (kVAr)	C <sub>N</sub> (μF)	I <sub>N</sub> (A)	CASING		H (mm)
					CONDUCTIVE	GROUNDED	
150	600	800	2358	1333	X	X	1000
	1000	1400	1485	1400	X	X	1000
	1500	1800	849	1200	X	X	1000
	2000	1720	456	860	X	X	1000
	2500	1350	229	540	X	X	1000
	3000	2000	236	667	X	X	1000
250	600	1120	1981	1867	X	X	1000
	1000	2000	1273	2000	X	X	1000
	1500	2750	778	1833	X	X	1000
	2000	2600	414	1300	X	X	1000
	2500	2000	204	800	X	X	1000
	3000	3333	236	1111	X	X	1000
300	600	1375	2026	2292	X	X	1000
	1000	2400	1273	2400	X	X	1000
	1500	3000	707	2000	X	X	1000
	2000	3150	418	1575	X	X	1000
	2500	2350	200	940	X	X	1000
	3000	4000	236	1333	X	X	1000
500	250	460	2343	1840	X	X	1000
	600	1500	1326	2500	X	X	800
	1000	2500	796	2500	X	X	700
	1500	3750	531	2500	X	X	800
	2000	4900	390	2450	X	X	1000
	2500	3700	188	1480	X	X	1000
	3000	6666	236	2222	X	X	1000
600	250	560	2377	2240	X	X	1000
	600	1500	1105	2500	X	X	700
	1000	2500	663	2500	X	X	600
	1500	3750	442	2500	X	X	700
	2000	5000	332	2500	X	X	900
	2500	4200	178	1680	X	X	1000
	3000	8000	236	2667	X	X	1000



150 - 5000Hz (not subdivided)							
F <sub>N</sub> (Hz)	U <sub>N</sub> (V)	Q <sub>N</sub> (kVAR)	C <sub>N</sub> (µF)	I <sub>N</sub> (A)	CASING		H (mm)
					CONDUCTIVE	GROUNDED	
1000	250	625	1592	2500	X	X	700
	600	1500	663	2500	X	X	500
	750	1875	531	2500	X	X	450
	1000	2500	398	2500	X	X	450
	1500	3750	265	2500	X	X	600
	2000	5000	199	2500	X	X	750
	2500	6250	159	2500	X	X	950
2000	250	625	796	2500	X	X	500
	600	1500	332	2500	X	X	500
	750	1875	265	2500	X	X	500
	1000	2500	199	2500	X	X	450
	1500	3750	133	2500	X	X	450
	2000	5000	99	2500	X	X	500
	2400	6000	83	2500	X	X	600
3000	250	625	531	2500	X	X	500
	600	1500	221	2500	X	X	500
	750	1875	177	2500	X	X	500
	1000	2500	133	2500	X	X	500
	1500	3750	88	2500	X	X	550
	2000	5000	66	2500	X	X	500
4000	250	625	398	2500	X	X	550
	600	1500	166	2500	X	X	550
	750	1875	133	2500	X	X	500
	1000	2500	99	2500	X	X	500
	1500	3750	66	2500	X	X	550
	2000	5000	50	2500	X	X	600
5000	250	600	306	2400	X	X	550
	600	1440	127	2400	X	X	550
	750	1800	102	2400	X	X	500
	1000	2400	76	2400	X	X	550
	1500	3600	51	2400	X	X	500
	2000	4800	38	2400	X	X	550

Shown are the maximum power ratings, other power ratings, voltages, and frequencies on request.