

6121 Baker Road,  
Suite 108  
Minnetonka, MN 55345

[www.chtechnology.com](http://www.chtechnology.com)



Phone (952) 933-6190  
Fax (952) 933-6223

**1-800-274-4284**

**Thank you for downloading this document from C&H Technology, Inc.**

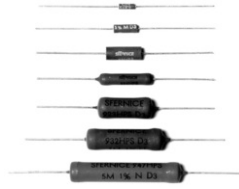
Please contact the C&H Technology team for the following questions -

Technical • Application • Assembly • Availability • Pricing

Phone – 1-800-274-4284

E-Mail – [sales@chtechnology.com](mailto:sales@chtechnology.com)

## High Ohmic Value (up to 1.5 GΩ), High Power Resistors (up to 10 W at 25 °C) Thick Film Technology

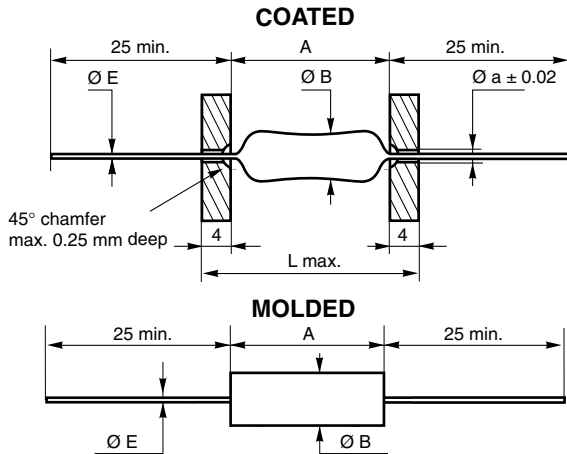


### FEATURES

- RoHS for most values, please consult us
- High ohmic values up to 1.5 GΩ
- Power rating up to 10 W at + 25 °C
- Molded or coated
- Ceramic core



### DIMENSIONS in millimeters



STYLE DIM.	HPS 58	HPS 63	HPS 68	HPS 523	HPS 923	HPS 932	HPS 947
A	6.5 ± 0.2	10 ± 0.2	15 ± 0.2	23 ± 2.3	23 ± 2.5	32 ± 2.5	47 ± 2.5
Ø B	2.4 ± 0.1	3.7 ± 0.1	5.6 ± 0.3	5 ± 0.3	9 ± 0.5	9 ± 0.5	9 ± 0.5
Ø E ± 0.1	0.6		0.8				
Weight in g	0.24	0.29	0.67	1.23	4.60	5.27	7.18
Finish	MOLDED			COATED			

TECHNICAL SPECIFICATIONS							
SERIES AND STYLES	HPS 58	HPS 63	HPS 68	HPS 523	HPS 923	HPS 932	HPS 947
Power Rating at + 25 °C	1 W	2 W	3 W	4 W	6 W	8 W	10 W
Ohmic Range	200 Ω 100 MΩ	200 Ω 175 MΩ	300 Ω 400 MΩ	800 Ω 650 MΩ	1 kΩ 1 GΩ	1 kΩ 1 GΩ	2 kΩ 1.5 GΩ
Tolerance	± 0.5 % to ± 10 %						
Temperature Coefficient	± 150 ppm/°C						
Limiting Element Voltage	0.3 kV	0.7 kV	1.5 kV	2 kV	2.5 kV	5 kV	8 kV
Critical Resistance	90 kΩ	245 kΩ	750 kΩ	1 MΩ	1.041 MΩ	3.125 MΩ	6.4 MΩ
Climatic Category	- 55 °C/+ 200 °C/56 days						

### MARKING

GEKA trade-mark, series, style, nominal resistance (in Ω), tolerance (in %), letter P for TCR ± 150 ppm/°C, manufacturing date. Because of lack of space, small styles are marked with ohmic value (in Ω), tolerance (in %) and letter P.

ORDERING INFORMATION						
HPS	68	50 MΩ	10 %	150 ppm/°C	BL20	e1
MODEL	SIZE	OHMIC VALUE	TOLERANCE	TEMPERATURE COEFFICIENT	PACKAGING	LEAD (Pb)-FREE



GLOBAL PART NUMBER INFORMATION						
<div style="display: flex; justify-content: space-around; font-weight: bold; font-size: 1.2em;"> <span>H</span> <span>P</span> <span>S</span> <span>0</span> <span>0</span> <span>6</span> <span>8</span> <span>5</span> <span>0</span> <span>0</span> <span>5</span> <span>K</span> <span>P</span> <span>B</span> <span>1</span> <span>5</span> </div>						
<b>GLOBAL MODEL</b>	<b>STYLE</b>	<b>OHMIC VALUE</b>	<b>TOLERANCE</b>	<b>TEMPERATURE COEFFICIENT</b>	<b>PACKAGING</b>	<b>SPECIAL</b>
HPS	HPS: 58 to 947	<p>The first three digits are significant figures and the last digit specifies the number of zeros to follow. R designates decimal point.</p> <p><b>1006</b> = 100 MΩ  <b>5104</b> = 5.1 MΩ  <b>3303</b> = 330 kΩ  <b>5005</b> = 50 MΩ            ...</p>	<p><b>D</b> = 0.5 %  <b>F</b> = 1 %  <b>G</b> = 2 %  <b>J</b> = 5 %  <b>K</b> = 10 %</p>	<p><b>P</b> = 150 ppm  <b>K</b> = 100 ppm</p>	<p><b>B15</b> = Blister            X 20 pieces  <b>B19</b> = Blister            X 30 pieces  <b>A18</b> = Ammo Pack            X 400 pieces  <b>A20</b> = Ammo Pack            X 500 pieces  <b>B17</b> = Blister            X 25 pieces  <b>R10</b> = Reel            X 500 pieces</p> <p>As applicable</p>	As applicable



## Disclaimer

All product specifications and data are subject to change without notice.

Vishay Intertechnology, Inc., its affiliates, agents, and employees, and all persons acting on its or their behalf (collectively, "Vishay"), disclaim any and all liability for any errors, inaccuracies or incompleteness contained herein or in any other disclosure relating to any product.

Vishay disclaims any and all liability arising out of the use or application of any product described herein or of any information provided herein to the maximum extent permitted by law. The product specifications do not expand or otherwise modify Vishay's terms and conditions of purchase, including but not limited to the warranty expressed therein, which apply to these products.

No license, express or implied, by estoppel or otherwise, to any intellectual property rights is granted by this document or by any conduct of Vishay.

The products shown herein are not designed for use in medical, life-saving, or life-sustaining applications unless otherwise expressly indicated. Customers using or selling Vishay products not expressly indicated for use in such applications do so entirely at their own risk and agree to fully indemnify Vishay for any damages arising or resulting from such use or sale. Please contact authorized Vishay personnel to obtain written terms and conditions regarding products designed for such applications.

Product names and markings noted herein may be trademarks of their respective owners.